

BRUNSWICK COFFEE TABLE



Ready to be Assembled



Max Weight
Top 50Kgs / Shelf 25Kgs

ITEM CODE:

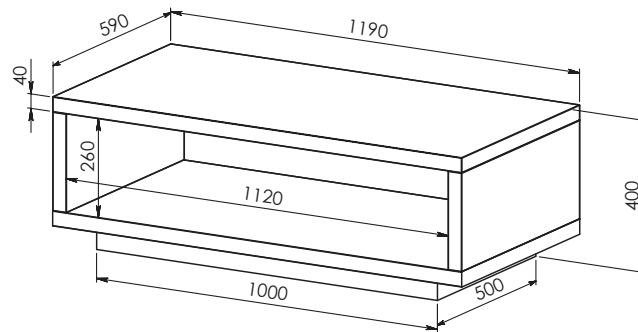
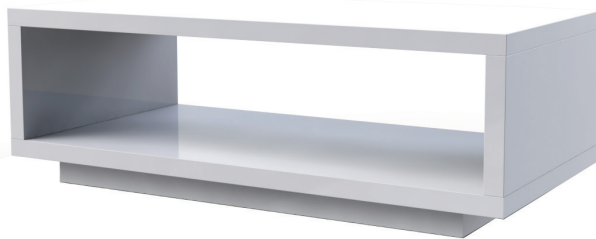
BRUNSWICK CT1200WHT

1190W x 590D x 400H mm

Open Style Coffee Table

Gloss finish with stylish plinth

1 Year Warranty



ET450



CT1200



1200



1500



1800



LL2000

www.rvm.com.au

DISTRIBUTED BY RVM AUSTRALIA t: (08) 9417 9944 e:sales@rvm.com.au